

We could have created the usual cylinder, but we have chosen a track system that makes the difference.

Track system

Contents

2	Luceplan track system
5	Alibel
15	Doi Flia Koinè
25	Technical data
35	Suspension track
39	Ceiling-Wall track
44	Built-in track
47	Optics 2700
49	Optics 3000
50	Remote LED driver

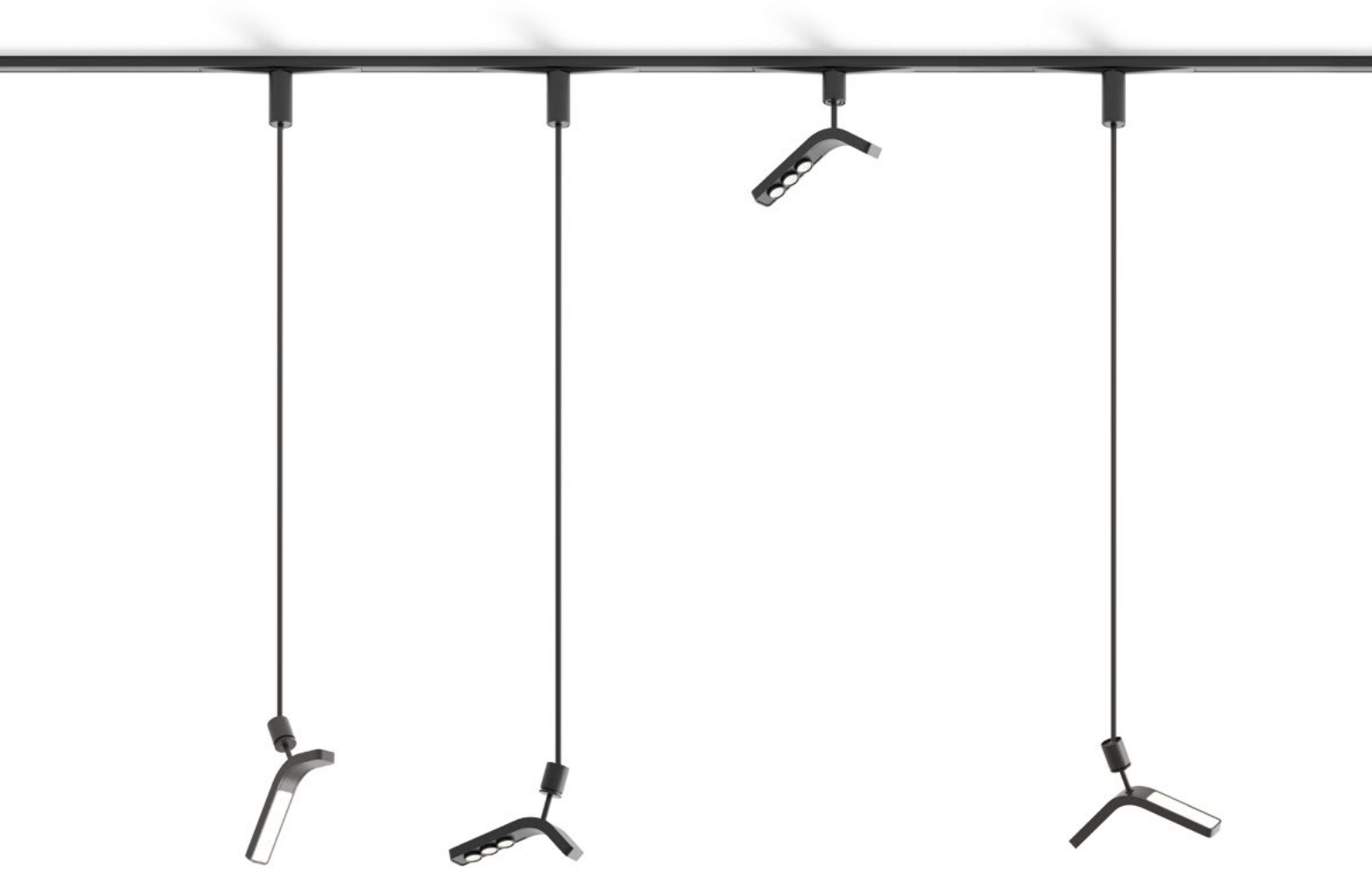


EN With the new track system, Luceplan explores what is a technical aspect, reinterpreting it in a decorative way. Fully in line with the design signature, it is the ideal solution both for residential contexts and for projects in the world of contracting. A versatile system whose elegant, slender lines permit the creation of geometric forms on ceilings, walls, recessed and ceiling, perfect for the personalization of spaces, ready to adapt to different installation requirements. The track lighting has been interpreted by utilizing various collections: Alibel and Flia, designed by Alessandro Zambelli; Koinè, by Mandalaki; and Doi, with design by Meneghello Paoletti. Elegant and essential, with its infinite possibilities and three types - ceiling/wall, built-in and suspension - the new Luceplan sistema binario offers an original and versatile interpretation of a lighting classic. Various accessories are available: starting with the power head that ensures electrification along the track, all the way to the optical fixtures set into its profile. Or the joints and curves (the latter only in the ceiling/wall version), which bring electrical continuity to a sequence of tracks, and all the accessories that permit discreet interconnection, granting aesthetic harmony to the entire system. The track is supplied in three different lengths (100, 200 and 300 cm), in a black finish for all the types, and also in white in the ceiling/wall and suspension models.

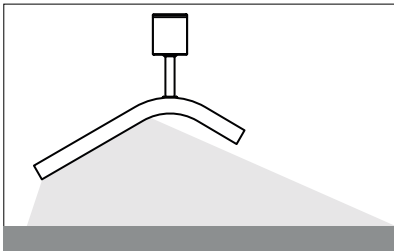
IT Con il nuovo sistema binario, Luceplan esplora un ambito tecnico reinterpretandolo in chiave decorativa. Sempre in linea con il design d'autore, è la soluzione ideale sia per ambiti residenziale che per i progetti legati al mondo del contract. Un sistema versatile che, con le sue linee eleganti e sottili, consente di disegnare geometrie a soffitto, parete, incasso e sospensione, ideali per personalizzare l'ambiente e adattarsi a differenti esigenze d'installazione. L'illuminazione a binario è interpretata utilizzando diverse collezioni: Alibel e Flia, design Alessandro Zambelli; Koinè, design Mandalaki; Doi, design Meneghello Paoletti. Elegante ed essenziale, con le sue infinite possibilità e le sue tre tipologie - soffitto/parete, incasso e sospensione -, il nuovo sistema binario Luceplan è un'inedita e versatile interpretazione di un classico dell'illuminazione. Diversi sono gli accessori disponibili: a partire dalla testata di alimentazione che garantisce l'elettrificazione lungo il binario, fino alle ottiche integrate nel profilo dello stesso. O ancora, i giunti e le curve (queste ultime soltanto per la versione soffitto/parete) che portano continuità elettrica ad una successione di binari, e tutti quegli accessori che permettono il collegamento discreto fra questi, conferendo un'armonia estetica all'intero sistema. Il binario è disponibile in tre diverse lunghezze (100, 200 e 300 cm), in finitura nera per tutte le tipologie e sia bianca che nera esclusivamente per le versioni soffitto/parete e sospensione.

How to light
space

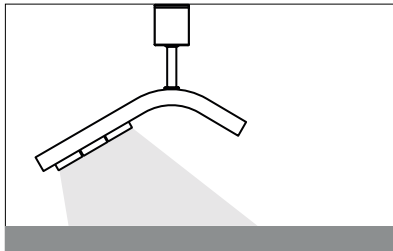
Alibel



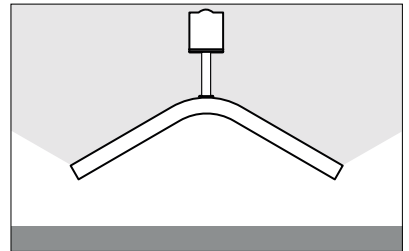
A13WB0DO/A13B0DO/A13WBCDO/
A13BCDO/A13WBLDO/A13BLDO



A13WB0DL/A13B0DL/A13WBCDL/
A13CDL/A13WBLDL/A13BLDL



A13WBCU2/A13WBLU2/A13BLU2



EN The luminous body in die-cast aluminium is equipped with a spherical joint that permits directional adjustment of the beam, and can also be outfitted with a slender stem (6 mm in diameter) that distances the fixture from the track, bringing it closer to the worksurface. This module can take on two different geometric figures: symmetrical, with upward emission, where the source is distributed in the upper part of the body; and asymmetrical, for a downward beam, where the source is placed in the lower part of the body and the optical solution can provide diffused emission or use lenses to generate accent lighting.

IT Il corpo illuminante, in pressofusione di alluminio, è munito di uno snodo sferico che consente di direzionare il fascio luminoso e può essere anche dotato di un sottile stelo (diametro 6 mm) che lo distanzia dal binario avvicinandolo al piano di lavoro. Tale modulo è declinato in due geometrie: simmetrica, ad emissione verso l'alto, dove la sorgente è distribuita nella parte superiore del corpo; asimmetrica, ad emissione verso il basso, dove la sorgente è collocata nella parte inferiore del corpo e l'ottica può essere sia ad emissione diffusa che provvista di lenti, per una luce d'accento.







EN Elegant and light in weight, the Alibel lighting system provides two fixtures for track installation (with direct and indirect emission) capable of producing ambient and accent lighting, which can be equipped with a lightweight diffuser with an elliptical form (50 x 33,5 cm). Taking inspiration from the world of nature, Alibel references the image of a dragonfly poised on a pool of water, creating concentric circles, embodied in the diffuser itself. This (optional) part in recyclable PET, characterized by an ethereal texture, spreads soft, diffused lighting that gives Alibel remarkable evocative force.

IT Elegante e leggero, il sistema di illuminazione Alibel dispone di due corpi illuminanti installabili a binario (ad emissione diretta e indiretta), in grado di generare tanto una luce diffusa quanto d'accento e che possono essere corredati da un sottile e leggero diffusore di forma ellittica (50 x 33,5 cm). Traendo ispirazione dal mondo naturale, Alibel rimanda all'immagine di una libellula che si appoggia su uno specchio d'acqua creando cerchi concentrici, qui restituiti nel diffusore stesso. Il diffusore (opzionale), realizzato in PET riciclabile e caratterizzato da una texture eterea, distribuisce una luce morbida e diffusa, conferendo ad Alibel un impatto fortemente evocativo.





**Doi
Flia
Koinè**

Doi spot

Doi

Flia

Koinè

Alibel



EN Apart from the Alibel system of lamps, track lighting has been interpreted by utilizing several other Luceplan collections: Flia by Alessandro Zambelli, already equipped with a practical and flexible adaptor for the directional adjustment of the luminous body; Doi suspension and Doi spot by Meneghello Paoletti, whose slender cylinder with an elegant finish is the perfect extension of the track; Koinè (diameter 20 cm) by Mandalaki, whose lens spreads glare-free brightness with clearly defined contours. Connected to the slim track by means of the adaptor the luminous parts take on a new deployment and a larger number of possible configurations, with a distributed glow that changes based on the device utilized.

IT Oltre che con il sistema di lampade Alibel, l'illuminazione a binario è interpretata utilizzando altre collezioni Luceplan: Flia di Alessandro Zambelli, già munita del pratico adattatore e flessibile nell'orientabilità del suo corpo illuminante; Doi sospensione e spot di Meneghello Paoletti, il cui sottile cilindro dalla pregiata finitura è la perfetta estensione del binario; Koinè (diametro 20 cm) di Mandalaki, che con la sua lente minerale diffonde una luce non abbagliante dai contorni definiti. Collegati al sottile binario per mezzo dell'adattatore, i corpi illuminanti trovano una nuova declinazione e un sempre maggiore numero di configurazioni possibili, con una distribuzione luminosa che cambia in base al dispositivo utilizzato.











Doi suspension

A05S1W - A05S2W + A05/7	LED 5W, 2700K, CRI 90, 48 Vdc, SELV
A05S1 - A05S2 + A05/7	LED 5W, 3000K, CRI 90, 48 Vdc, SELV

Doi spot

A05WB1	LED 5W, 2700K, CRI 90, 48 Vdc, SELV
A050B1	LED 5W, 3000K, CRI 90, 48 Vdc, SELV

Flia

A04WB1	LED 3.3W, 2700K, CRI 90, 48 Vdc, SELV
A04B1	LED 3.3W, 3000K, CRI 90, 48 Vdc, SELV

Koinè

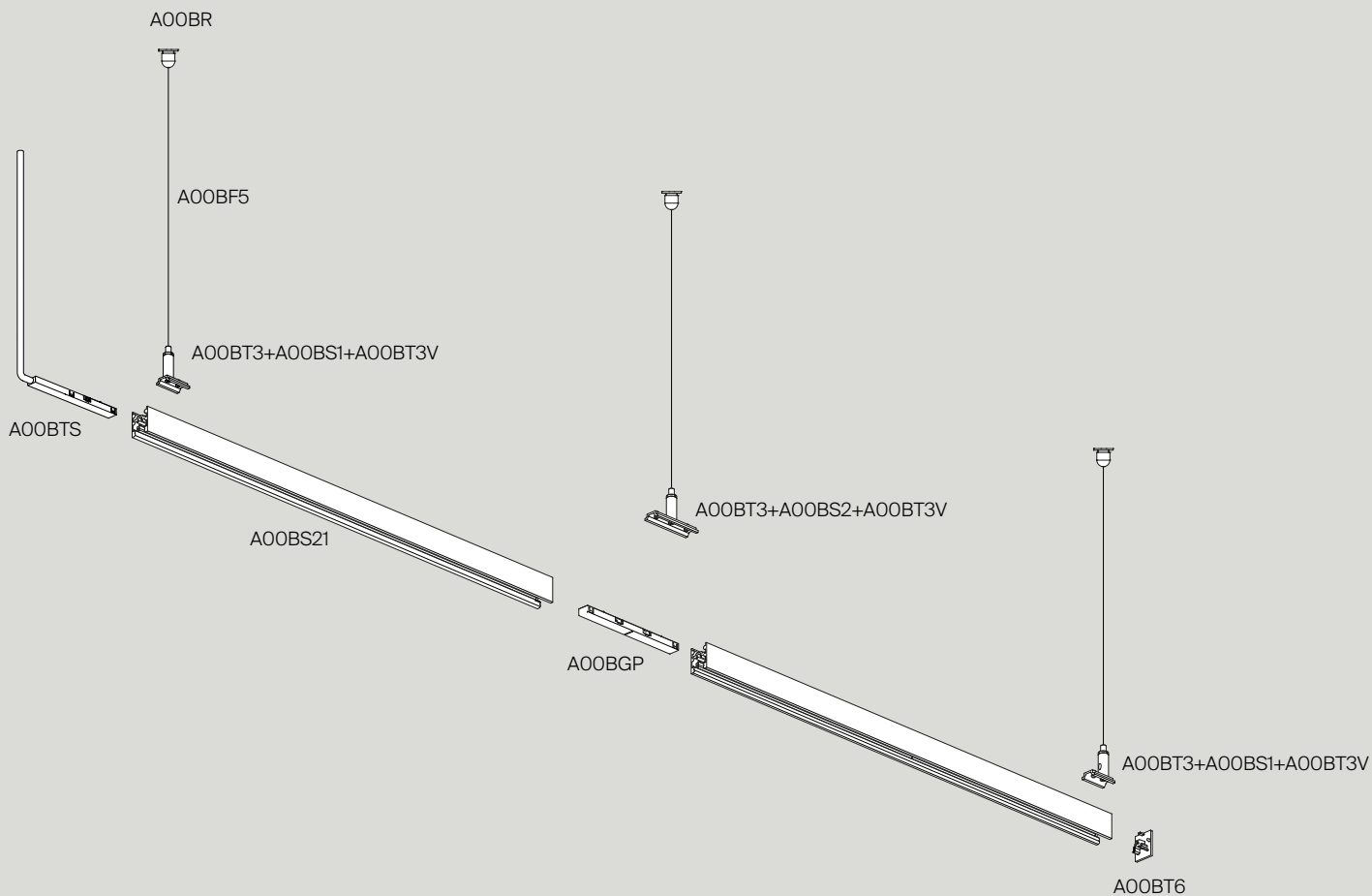
A07S20W + A07/11	12W, 2700K, CRI 90, 48 Vdc, SELV
A07S20 + A07/11	12W, 3000K, CRI 90, 48 Vdc, SELV

Alibel

A13WB0DO	2W, 2700K, CRI 90, 48 Vdc, SELV
A13B0DO	2W, 3000K, CRI 90, 48 Vdc, SELV
A13WB0DL	9W, 2700K, CRI 90, 48 Vdc, SELV
A13B0DL	9W, 3000K, CRI 90, 48 Vdc, SELV
A13WBCDO	2W, 2700K, CRI 90, 48 Vdc, SELV
A13BCDO	2W, 3000K, CRI 90, 48 Vdc, SELV
A13WBCDL	9W, 2700K, CRI 90, 48 Vdc, SELV
A13BCDL	9W, 3000K, CRI 90, 48 Vdc, SELV
A13WBLDO	2W, 2700K, CRI 90, 48 Vdc, SELV
A13BLDO	2W, 3000K, CRI 90, 48 Vdc, SELV
A13WBLDL	9W, 2700K, CRI 90, 48 Vdc, SELV
A13BLDL	9W, 3000K, CRI 90, 48 Vdc, SELV
A13WBCU2	6W, 2700K, CRI 90, 48 Vdc, SELV
A13BCU2	6W, 3000K, CRI 90, 48 Vdc, SELV
A13WBLU2	6W, 2700K, CRI 90, 48 Vdc, SELV
A13BLU2	6W, 3000K, CRI 90, 48 Vdc, SELV
A13WBCV5	6W, 2700K, CRI 90, 48 Vdc, SELV
A13BCV5	6W, 3000K, CRI 90, 48 Vdc, SELV

Technical data

Suspension track



A00BS21
track L100



A00BGP
jointing connector



A00BTS
end feed



A00BS1
short bracket



A00BS2
long bracket



A00BC5
frontal cap



A00BT6
end cap



A00BT3
rope tensioner



A00BT
locking tool



A00BR
rope suspension bell



A00BF5
steel cable



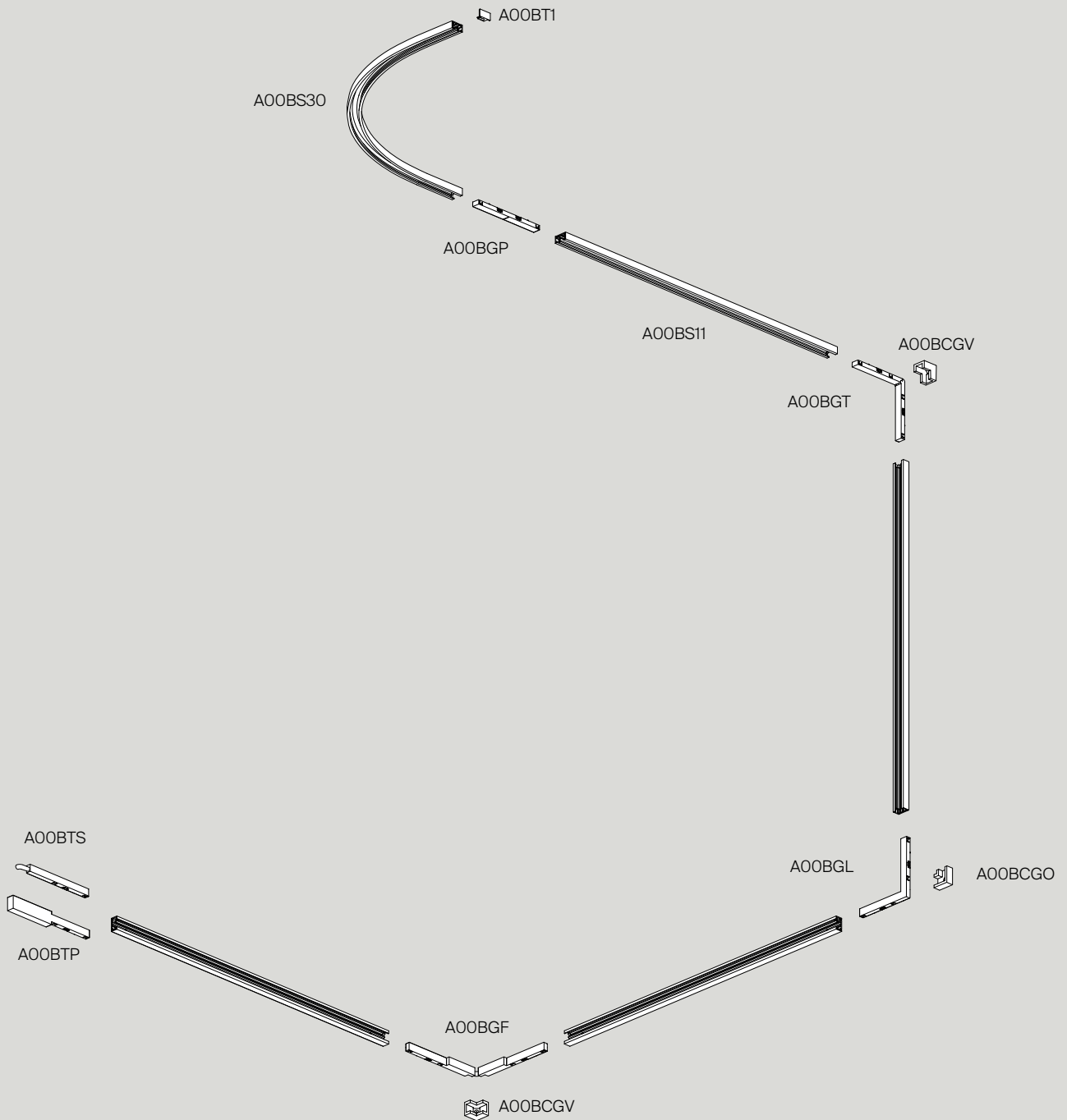
A00BT3V
screws



A00BDS
ceiling rose



Ceiling-wall track



A00BS11
track L 100



A00BGP
joining connector



A00BGF
adjustable corner



A00BTP
end feed



A00BTS
end feed



A00BGT
L feed ceiling-wall



A00BGL
L joint



A00BT
locking tool



A00BC1
frontal cap



A00BT1
end cap



A00BDP
ceiling rose



A00BS30
curved track



A00BS50
curved track



A00BS3V
vertical curved track



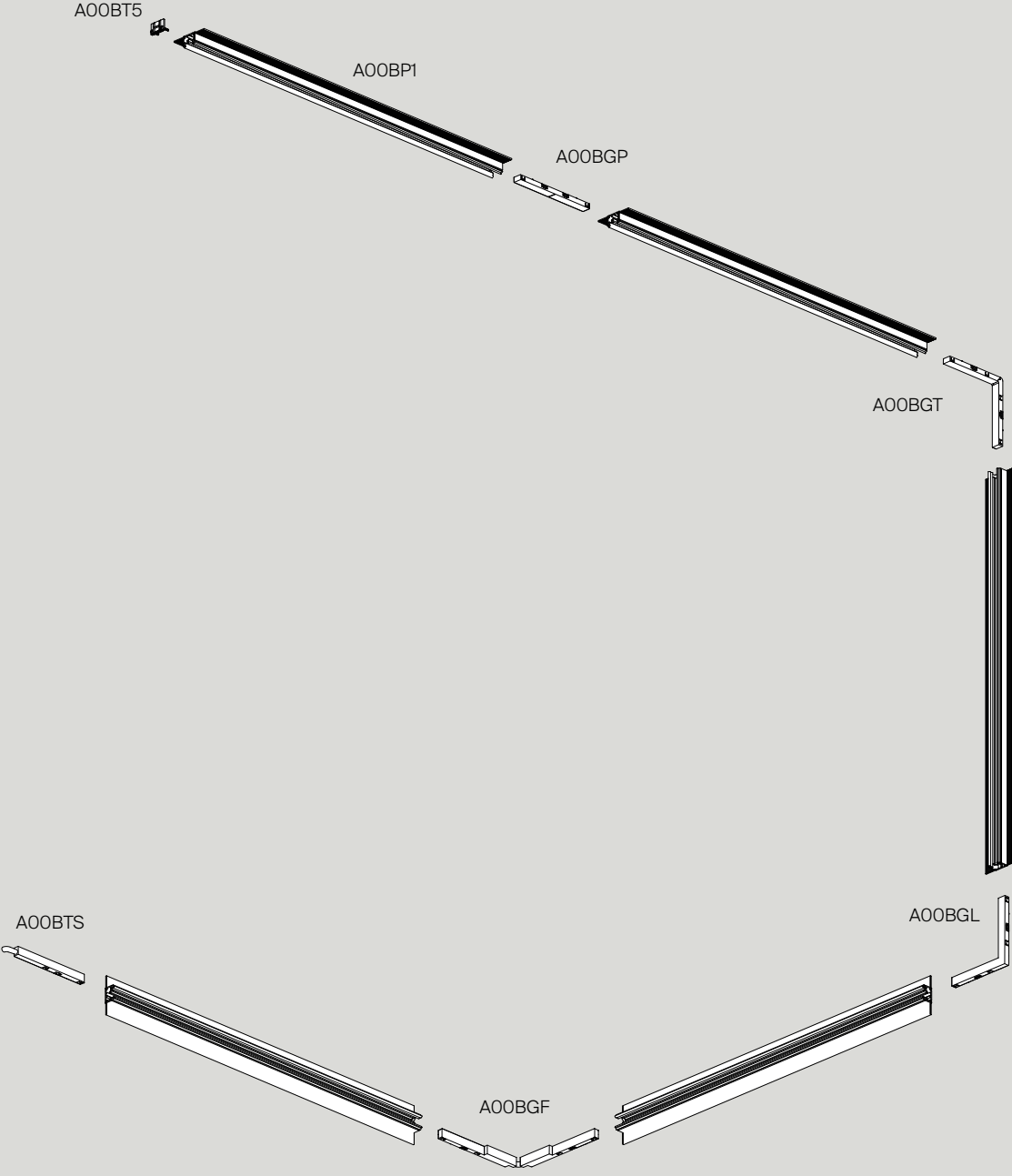
A00BCGO
horizontal corner joint cover



A00BCGV
vertical corner joint cover



Built-in track



A00BP1
track L 100



A00BGP
jointing connector



A00BTS
end feed



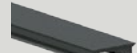
A00BGL
L joint



A00BGT
L feed ceiling-wall



A00BC5
frontal cap



A00BT5
end cap



A00BD5
template



A00BT
locking tool

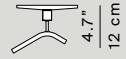


A13
dimmmable DALI

Use in combination
with following track codes ONLY
A00BS11 - A00BS12 - A00BS13
A00BP1 - A00BP2 - A00BP3
A00BS21 - A00BS22 - A00BS23

A13WB0DO

A13B0DO



5.9"
15 cm

A13WB0DL

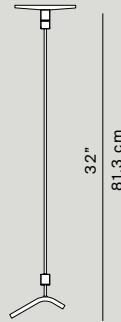
A13B0DL



5.9"
15 cm

A13WBCDO

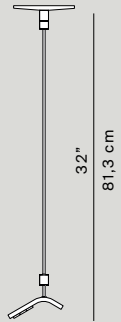
A13BCDO



5.9"
15 cm

A13WBCDL

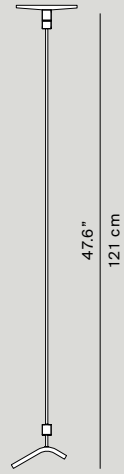
A13BCDL



5.9"
15 cm

A13WBLDO

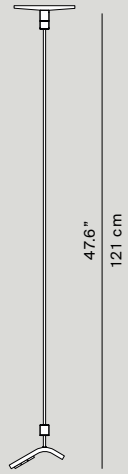
A13BLDO



5.9"
15 cm

A13WBLDL

A13BLDL

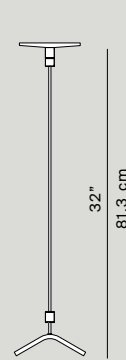


5.9"
15 cm

A13
dimmmable DALI

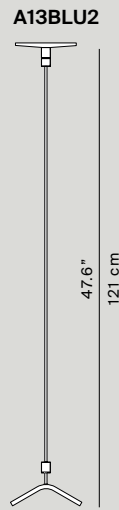
Use in combination
with following track codes ONLY
A00BS11 - A00BS12 - A00BS13
A00BP1 - A00BP2 - A00BP3
A00BS21 - A00BS22 - A00BS23

A13WBCU2



7.4"
19 cm

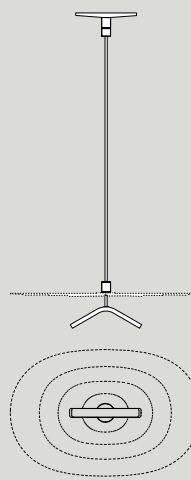
A13WBLU2



7.4"
19 cm

A13WBCU2 + A13/1

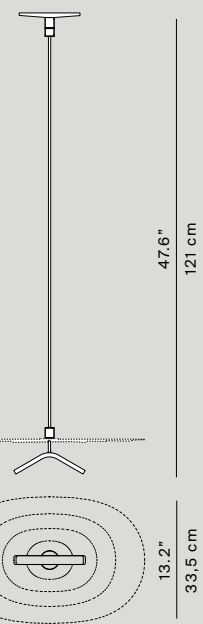
A13BCU2 + A13/1



13.2"
33.5 cm

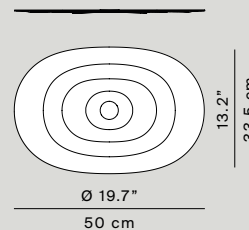
A13WBLU2 + A13/1

A13BLU2 + A13/1



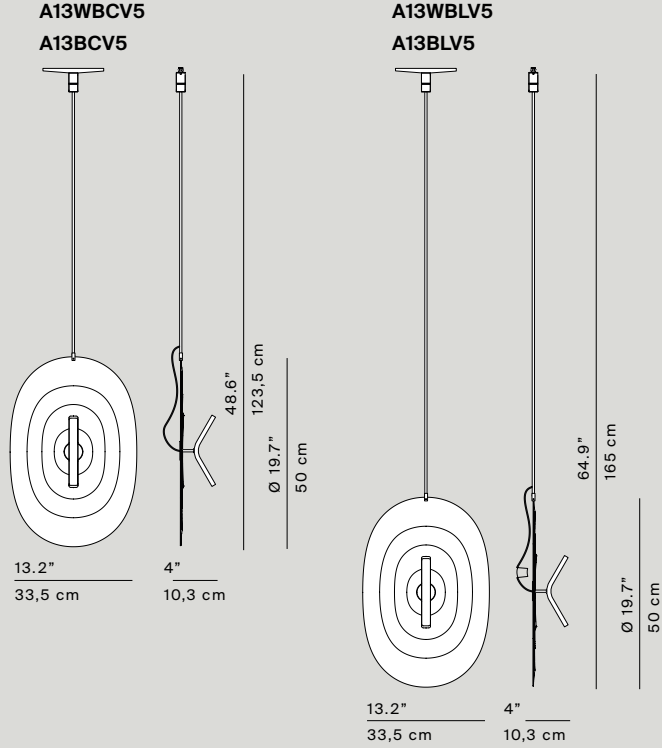
13.2"
33.5 cm

A13/1
diffuser



A13
dimmable DALI


Use in combination
with following track codes ONLY
A00BS11 - A00BS12 - A00BS13
A00BP1 - A00BP2 - A00BP3
A00BS21 - A00BS22 - A00BS23



Light source	Code	Power	Specifications
	A13WB0DO - A13B0DO	2W	2700/3000 K, CRI 90, 48Vdc, SELV
	A13WB0DL - A13B0DL	9W	2700/3000 K, CRI 90, 48Vdc, SELV
	A13WBCDO - A13BCDO	2W	2700/3000 K, CRI 90, 48Vdc, SELV
	A13WBCDL - A13BCDL	9W	2700/3000 K, CRI 90, 48Vdc, SELV
	A13WBLDO - A13BLDO	2W	2700/3000 K, CRI 90, 48Vdc, SELV
	A13WBLDL - A13BLDL	9W	2700/3000 K, CRI 90, 48Vdc, SELV
	A13WBCU2 - A13BCU2	6W	2700/3000 K, CRI 90, 48Vdc, SELV
	A13WBLU2 - A13BLU2	6W	2700/3000 K, CRI 90, 48Vdc, SELV
	A13WBCV5 - A13BCV5	6W	2700/3000 K, CRI 90, 48Vdc, SELV
	A13WBLV5 - A13BLV5	6W	2700/3000 K, CRI 90, 48Vdc, SELV

Materials Painted aluminium structure, PET diffuser

Structure finishes  Matt Black

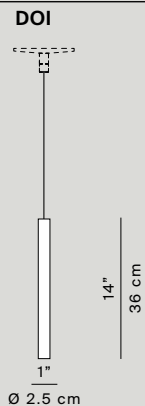
Diffuser finishes  Opal



A05S1 / A05S1W
A05S2 / A05S2W
+ A05/7

dimmmable DALI

Use in combination
 with following track codes ONLY
 A00BS11 - A00BS12 - A00BS13
 A00BP1 - A00BP2 - A00BP3
 A00BS21 - A00BS22 - A00BS23



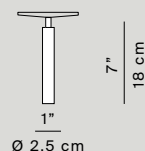
A05/7
 track adapter
 dimmmable DALI
 48Vdc SELV



A05WB1 / A050B1

dimmmable DALI

Use in combination
 with following track codes ONLY
 A00BS11 - A00BS12 - A00BS13
 A00BP1 - A00BP2 - A00BP3
 A00BS21 - A00BS22 - A00BS23



Light source

A05S1W - A05S2W	LED 5W, 2700K, CRI 90
A05WB1	LED 5W, 2700K, CRI 90
A05S1 - A05S2	LED 5W, 3000K, CRI 90
A050B1	LED 5W, 3000K, CRI 90

Rating

A05S1 - A05S1W - A05S2W - A05S2 +A05/7 A050B1 - A05WB1	5W, 48 Vdc, SELV
---	------------------

Materials

Aluminium

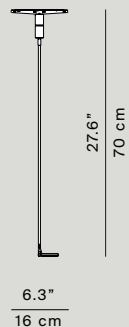
Body finishes



A04B1 / A04WB1

dimmable DALI

Use in combination
with following track codes ONLY
A00BS11 - A00BS12 - A00BS13
A00BP1 - A00BP2 - A00BP3
A00BS21 - A00BS22 - A00BS23

**Light source****A04B1 / A04WB1**

LED 3.3W 2700K / 3000K CRI 90
48 Vdc, SELV

Materials

Stem: carbon fiber, head: aluminium

Structure finishes

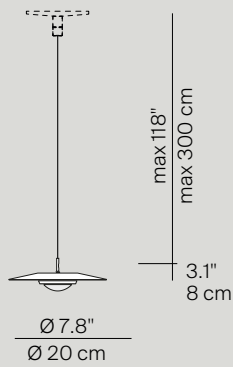
A07S20W / A07S20

+ A07/11

dimmableDALI

Use in combination
with following track codes ONLY
A00BS11 - A00BS12 - A00BS13
A00BP1 - A00BP2 - A00BP3
A00BS21 - A00BS22 - A00BS23

A07S20W / A07S20



A07/11

track adapter
dimmable DALI
48Vdc SELV



Light source

A07S20W / A07S20

12W, 2700K or 3000K, CRI 90

Rating

A07A20W / A07A20 + A07/11

12W, 48 Vdc, SELV

Materials

Aluminium reflector, glass lens

Finishes
Suspension



Blue



Black



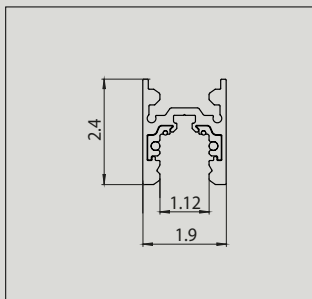
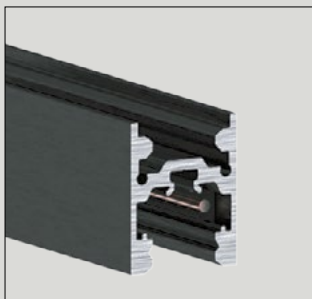
Red



White

Suspension track

A00BS21

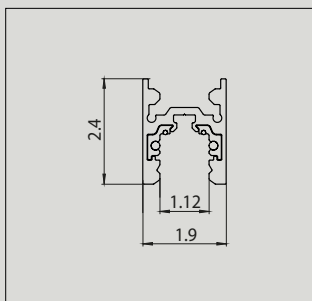
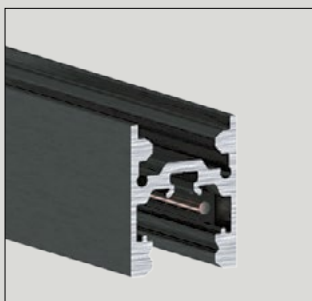


track
1,9 x H 2,4 cm
L 100 cm

9A000BS21002	white	770,00
9A000BS21001	black	770,00

Compatible with:
Alibel
Doi
Doi spot
Flia
Koinè A07S20W/A07S20

A00BS22

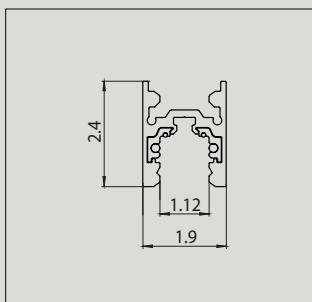
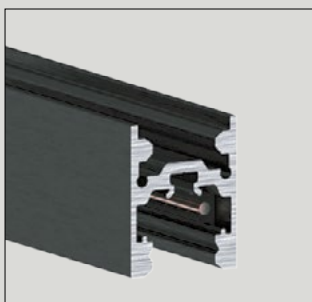


track
1,9 x H 2,4 cm
L 200 cm

9A000BS22002	white	1.487,00
9A000BS22001	black	1.487,00

Compatible with:
Alibel
Doi
Doi spot
Flia
Koinè A07S20W/A07S20

A00BS23

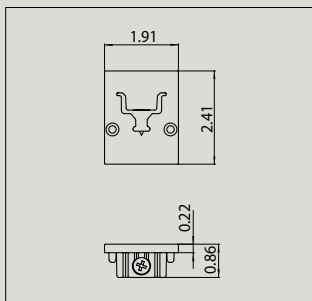
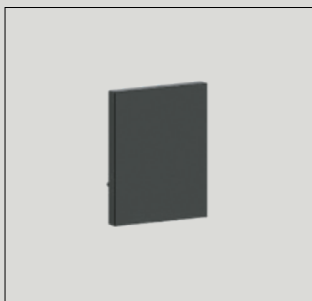


track
1,9 x H 2,4 cm
L 300 cm

9A000BS23002	white	2.203,00
9A000BS23001	black	2.203,00

Compatible with:
Alibel
Doi
Doi spot
Flia
Koinè A07S20W/A07S20

A00BT6

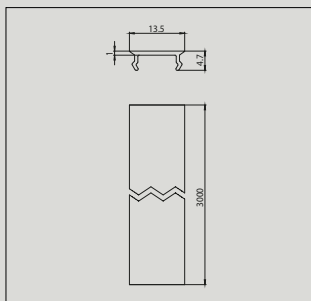


end cap
1,9 x H 2,4 cm
L 0,8 cm

9A000BT60002	white	70,00
9A000BT60001	black	70,00

Suspension track

A00BC5

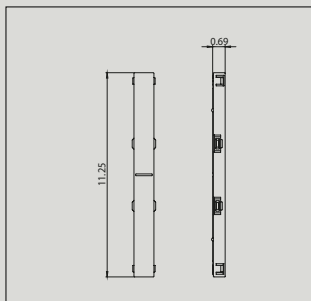


frontal cap

1,3 x H 0,5 cm
L 300 cm

9A000BC50002	white	224,00
9A000BC50001	black	224,00

A00BGP

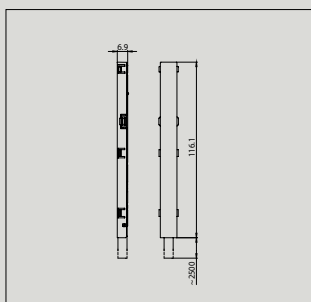


jointing connector

1,1 x H 0,7 cm
L 11,3 cm

9A000BGP0002	white	216,00
9A000BGP0001	black	216,00

A00BTS

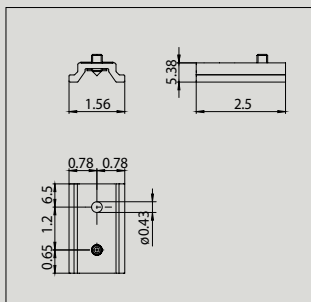


end feed

1,1 x H 0,7
L 11,6 cm
L cable 250 cm

9A000BTS0002	white	393,00
9A000BTS0001	black	393,00

A00BS1



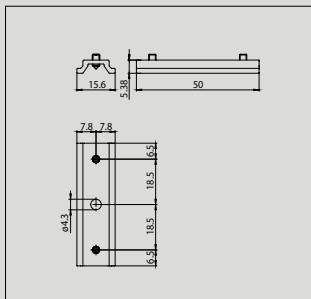
short bracket

1,5 x H 0,5 cm
L 2,5 cm

9A000BS10002	white	85,00
9A000BS10001	black	85,00

Suspension track

A00BS2

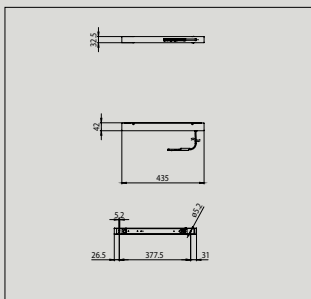
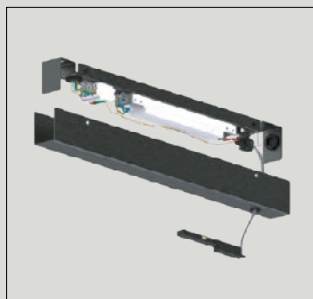


long bracket

1,5 x H 0,5 cm
L 5 cm

9A000BS20002	white	116,00
9A000BS20001	black	116,00

A00BDS

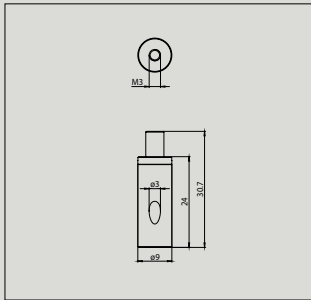


ceiling rose

3,2 x H 4,2 cm
L 43,5 cm

9A000BDS0002	white	2.464,00
9A000BDS0001	black	2.464,00

A00BT3

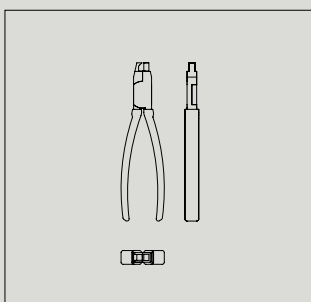


rope tensioner

Ø 9 x H 3 cm

9A000BT£0000	metal	85,00
--------------	-------	-------

A00BT

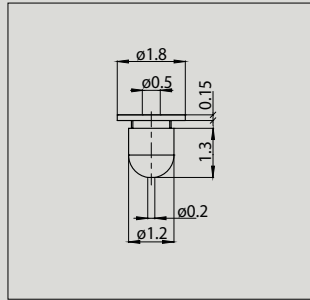


locking tool

9A000BT00000	1.587,00
--------------	----------

Suspension track

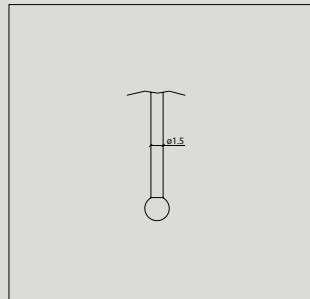
A00BR



rope suspension bell
Ø 1,2 cm

9A000BRO0000 black 193,00

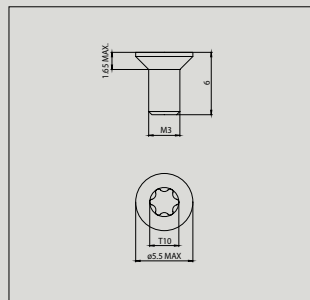
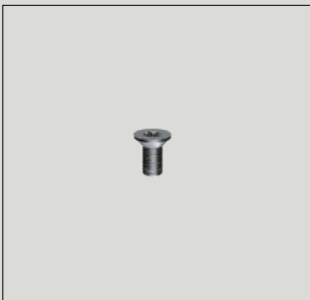
A00BF5



steel cable
Ø 0,15 cm
L 500 cm

9A000BF50000 metal 147,00

A00BT3V

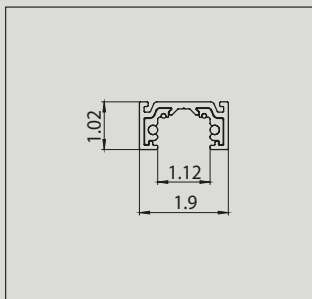


screws
5 x M 3 x 6 cm

9A000BT3V000 black 31,00

Ceiling-Wall track

A00BS11

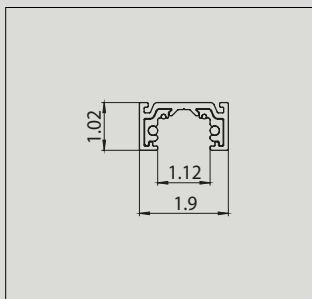


track
1,9 x H 1 cm
L 100 cm

9A000BS11002	white	717,00
9A000BS11001	black	717,00

Compatible with:
Doi
Flia
Koinè

A00BS12

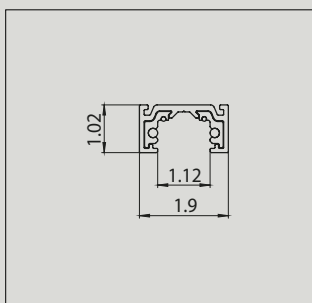


track
1,9 x H 1 cm
L 200 cm

9A000BS12002	white	1.371,00
9A000BS12001	black	1.371,00

Compatible with:
Doi
Flia
Koinè

A00BS13

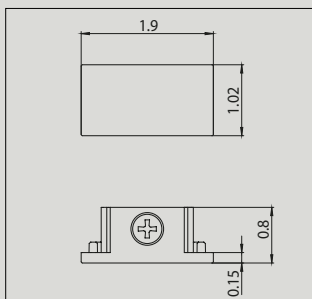


track
1,9 x H 1 cm
L 300 cm

9A000BS13002	white	2.026,00
9A000BS13001	black	2.026,00

Compatible with:
Doi
Flia
Koinè

A00BT1

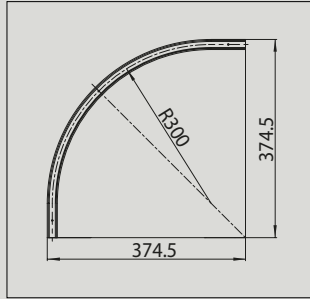


end cap
1,9 x H 1 cm
L 0,8cm

9A000BT10002	white	70,00
9A000BT10001	black	70,00

Ceiling-Wall track

A00BS30

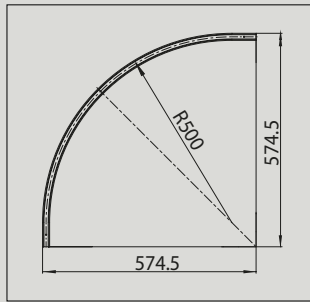


curved track

1,9 x H 1 cm
R 30 cm

9A000BS30002	white	1.240,00
9A000BS30001	black	1.240,00

A00BS50

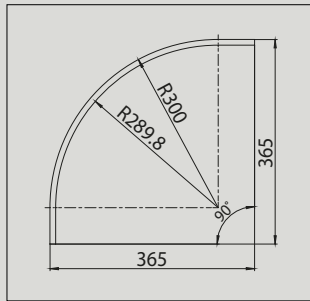


curved track

1,9 x H 1 cm
R 50 cm

9A000BS50002	white	1.456,00
9A000BS50001	black	1.456,00

A00BS3V

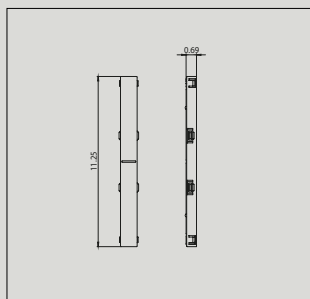


vertical curved track

1,9 x H 1 cm
R 30 cm

9A000BS3V002	white	1.240,00
9A000BS3V001	black	1.240,00

A00BGP



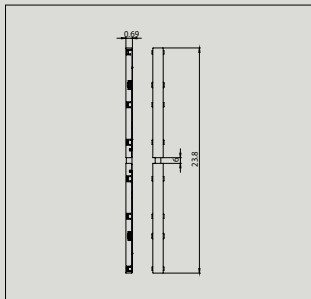
jointing connector

1,1 x H 0,7 cm
L 11,3 cm

9A000BGP0002	white	216,00
9A000BGP0001	black	216,00

Ceiling-Wall track

A00BGF



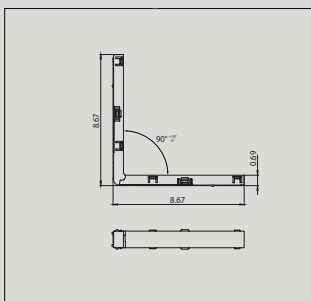
adjustable corner

1,1 x H 0,7 cm

L 23,8 cm

9A000BGF0002	white	632,00
9A000BGF0001	black	632,00

A00BGT



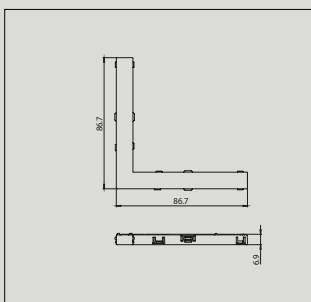
L feed ceiling-wall

8,7 x H 1,1 cm

L 8,7 cm

9A000BGT0002	white	578,00
9A000BGT0001	black	578,00

A00BGL



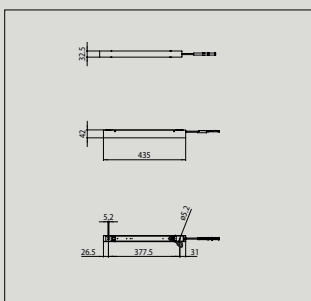
L joint

8,7 x H 0,7 cm

L 8,7 cm

9A000BGL0002	white	578,00
9A000BGL0001	black	578,00

A00BDP



ceiling rose

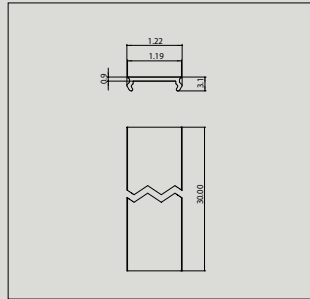
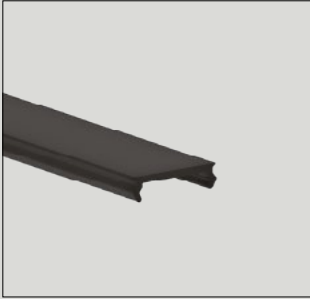
3,2 x H 4,2 cm

L 43,5 cm

9A000BDP0002	white	2.464,00
9A000BDP0001	black	2.464,00

Ceiling-Wall track

A00BC1

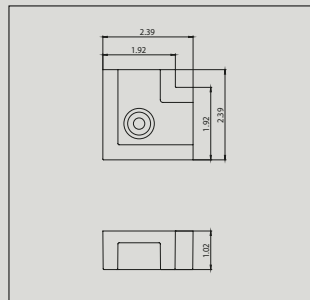
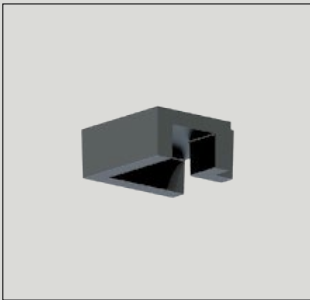


frontal cap

1,2 x H 0,3 cm
L 300 cm

9A000BC10002	white	224,00
9A000BC10001	black	224,00

A00BCGO

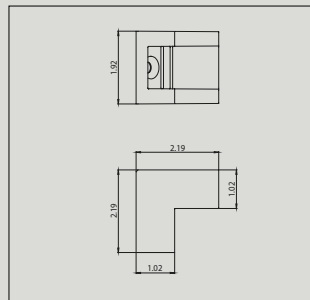
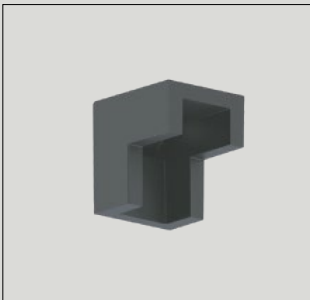


horizontal corner joint cover

2,4 x H 1 cm
L 2,4 cm

9A000BCGO002	white	70,00
9A000BCGO001	black	70,00

A00BCGV

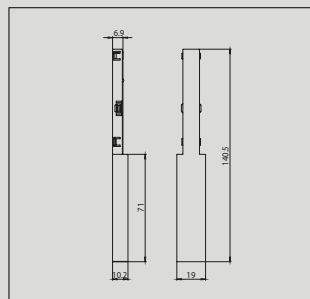


vertical corner joint cover

2,2 x H 1,9 cm
L 2,2 cm

9A000BCGV002	white	70,00
9A000BCGV001	black	70,00

A00BTP



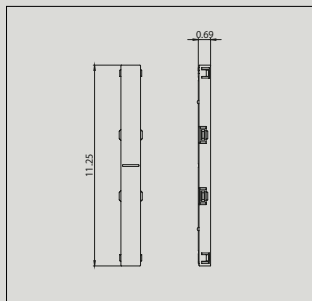
end feed

1,9 x H 1 cm
L 14 cm

9A000BTP0002	white	239,00
9A000BTP0001	black	239,00

Ceiling-Wall track

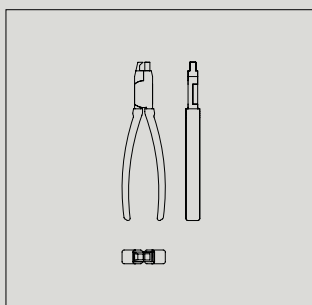
A00BTS



end feed
1,1 x H 0,7 cm
L 11,6 cm
L cable 250 cm

9A000BTS0002	white	393,00
9A000BTS0001	black	393,00

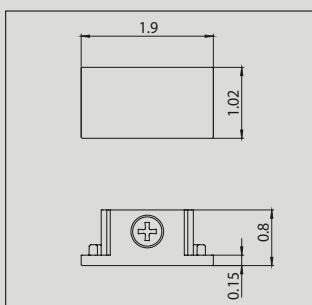
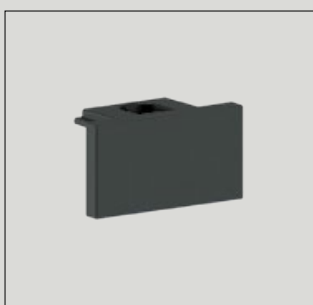
A00BT



locking tool

9A000BT00000	1.587,00
--------------	----------

A00BTI

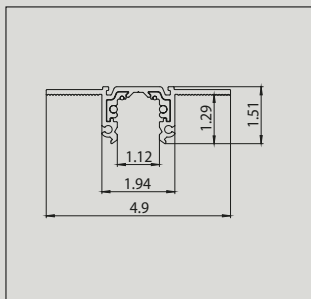


end cap
1,9 x H 1 cm
L 0,8cm

9A000BT10002	white	70,00
9A000BT10001	black	70,00

Built-in track

A00BP1



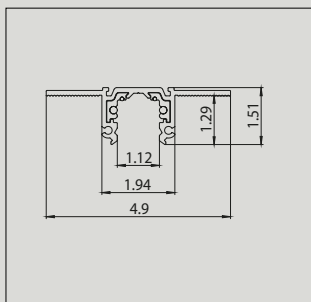
track

4,9 x H 1,5 cm

L 100 cm

9A000BP10001 black 755,00

A00BP2



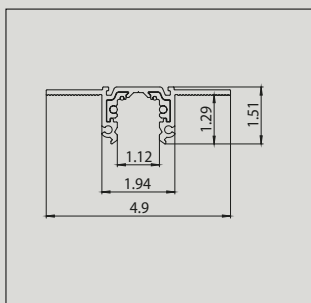
track

4,9 x H 1,5

L 200

9A000BP20001 black 1.456,00

A00BP3



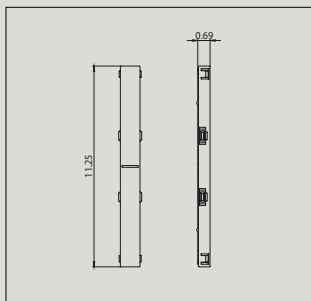
track

4,9 x H 1,5 cm

L 300 cm

9A000BP30001 black 2.149,00

A00BGP



jointing connector

1,1 x H 0,7 cm

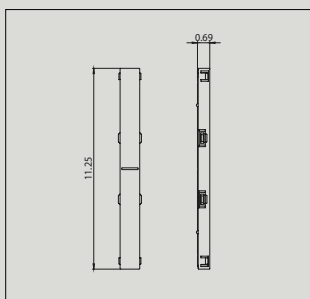
L 11,3 cm

9A000BGP0002 white 216,00

9A000BGP0001 black 216,00

Built-in track

A00BTS



end feed

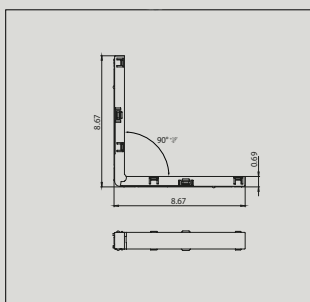
1,1 x H 0,7 cm

L 11,6 cm

L cable 250 cm

9A000BTS0002	white	393,00
9A000BTS0001	black	393,00

A00BGT



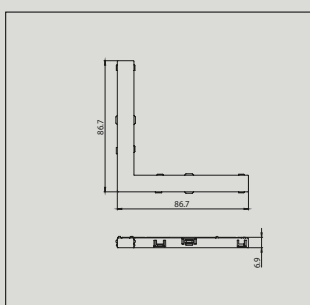
L feed ceiling-wall

8,7 x H 1,1 cm

L 8,7 cm

9A000BGT0002	white	578,00
9A000BGT0001	black	578,00

A00BGL



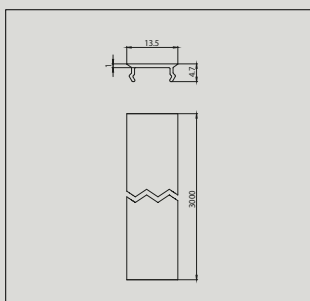
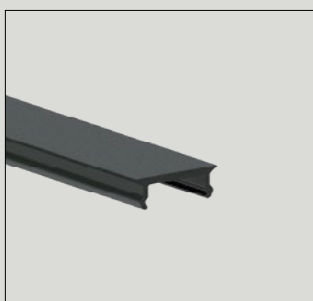
L joint

8,7 x H 0,7 cm

L 8,7 cm

9A000BGL0002	white	578,00
9A000BGL0001	black	578,00

A00BC5



frontal cap

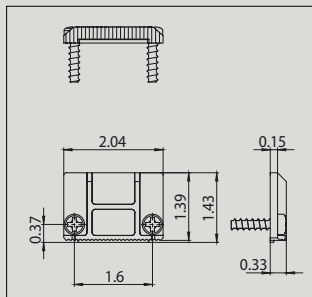
1,3 x H 0,5 cm

L 300 cm

9A000BC50002	white	224,00
9A000BC50001	black	224,00

Built-in track

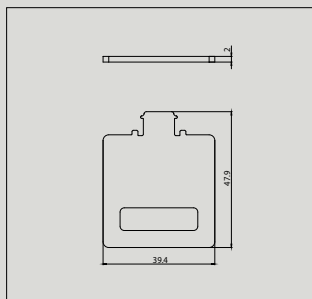
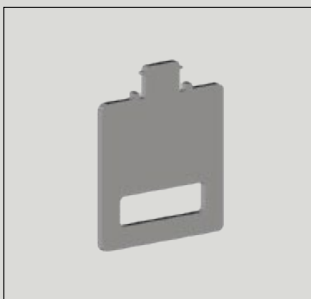
A00BT5



end cap
2 x H 1,4
L 0,3 cm

9A000BT50001 black 70,00

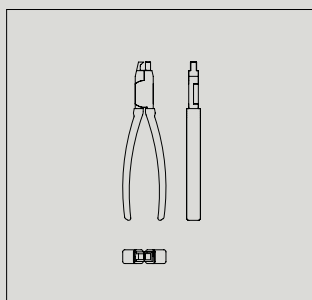
A00BD5



template
3,9 x H 4,8
thickness 0,2 cm

9A000BD50000 85,00

A00BT

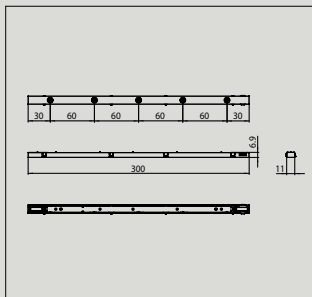
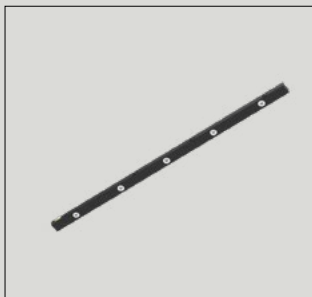


locking tool

9A000BT00000 1.587,00

Optics 2700K

A00WB303

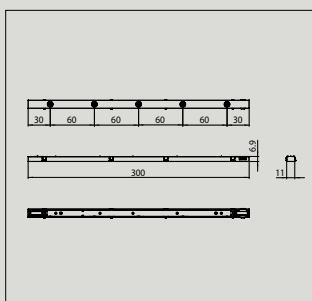
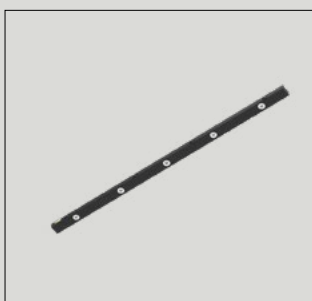


5 x LED lens 30° optic
 dimmable push/DALI
 48V dc, SELV
 1,1 x H 0,7 cm
 L 30 cm

4,9W, 2700K, CRI 90

9A00WB303001 black 1.525,00

A00WBE03

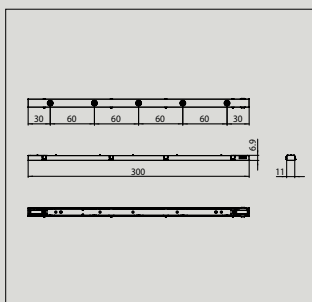
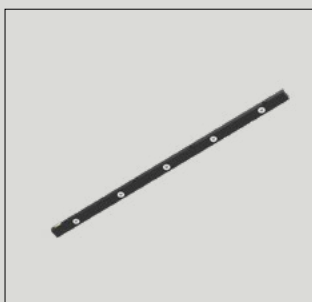


5 x LED lens 21,6° x 37,6° optic
 dimmable push/DALI
 48V dc, SELV
 1,1 x H 0,7 cm
 L 30 cm

4,9W, 2700K, CRI 90

9A00WBE03001 black 1.525,00

A00WBU03

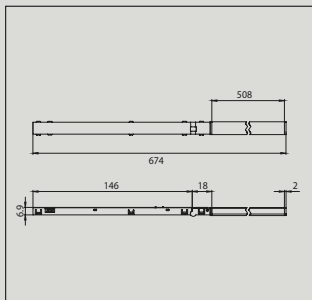
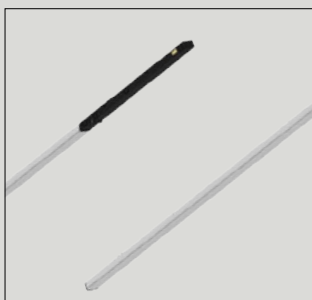


5 x LED lens UGR optic
 dimmable push/DALI
 48V dc, SELV
 1,1 x H 0,7 cm
 L 30 cm

4,9W, 2700K, CRI 90

9A00WBU03001 black 1.641,00
 9A00WBU03002 white 1.641,00

A00WB067



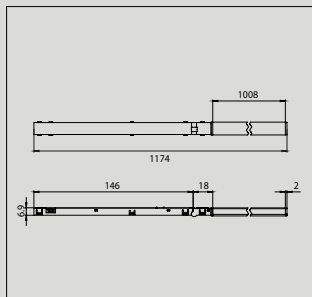
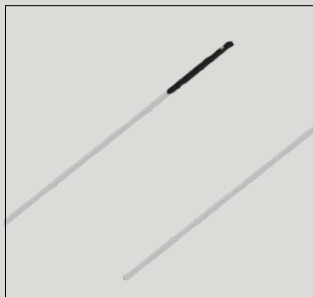
opal optic only for A00BS11, A00ES12, A00BBS13
 dimmable push/DALI
 48V dc, SELV
 1,1 x H 0,7 cm
 L 67,4 cm

7,4W, 2700K, CRI 90

9A00WB067001 black 1.918,00

Optics 2700K

A00WB117



opal optic only for A00BS11, A00BS12, A00BS13
dimnable push/DALI

48V dc, SELV

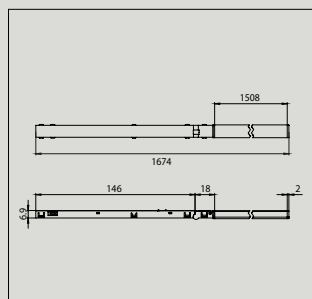
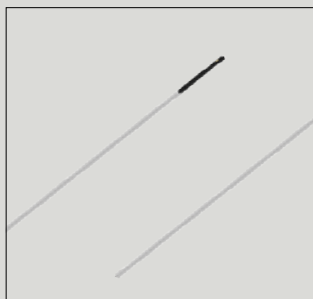
1,1 x H 0,7 cm

L 117,4 cm

14,5W, 2700K, CRI 90

9A00WB117001 black 3.188,00

A00WB167



opal optic only for A00BS11, A00BS12, A00BS13
dimnable push/DALI

48V dc, SELV

1,1 x H 0,7 cm

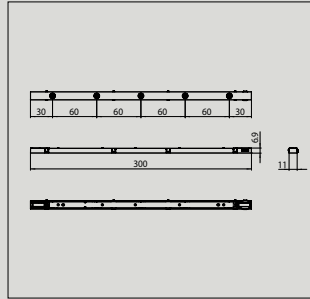
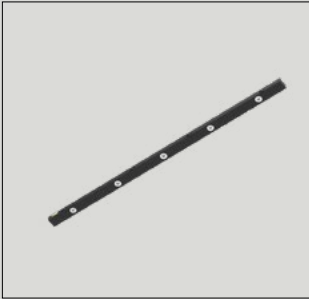
L 167,4 cm

21,6W, 2700K, CRI 90

9A00WB167001 black 3.542,00

Optics 3000K

A00B303

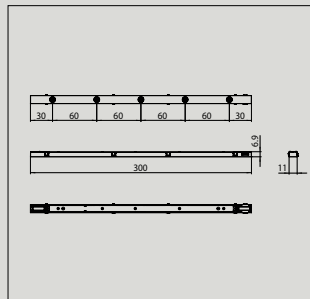
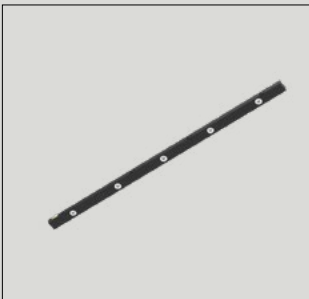


5 x LED lens 30° optic
 dimmable push/DALI
 48V dc, SELV
 1,1 x H 0,7 cm
 L 30 cm

4,9W, 3000K, CRI 90

9A000B303001 black 1.525,00

A00BE03

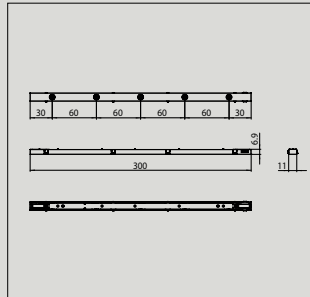
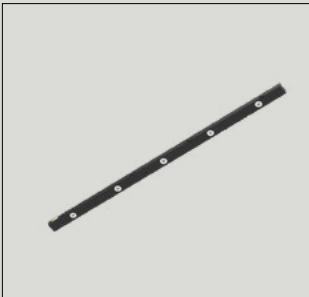


5 x LED lens 21,6° x 37,6° optic
 dimmable push/DALI
 48V dc, SELV
 1,1 x H 0,7 cm
 L 30 cm

4,9W, 3000K, CRI 90

9A000BE03001 black 1.471,00

A00BU03

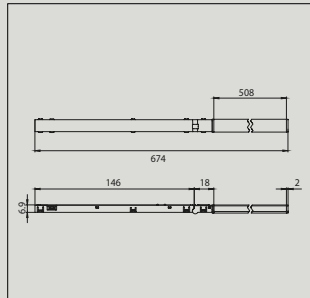
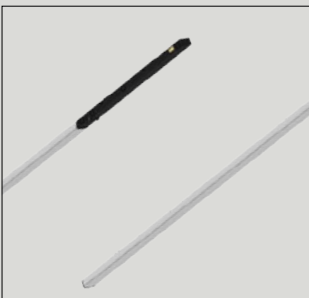


5 x LED UGR optic
 dimmable push/DALI
 48V dc, SELV
 1,1 x H 0,7 cm
 L 30 cm

4,9W, 3000K, CRI 90

9A000BU03001 black 1.579,00
 9A000BU03002 white 1.641,00

A00B067



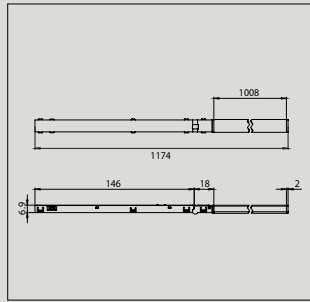
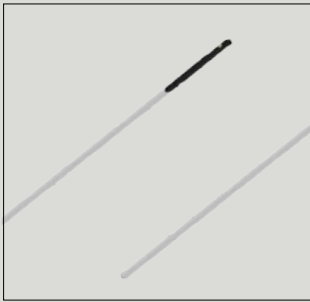
**opal optic only for A00BS11,
 A00BS12, A00BS13**
 dimmable push/DALI
 48V dc, SELV
 1,1 x H 0,7 cm
 L 67,4 cm

7,4W, 3000K, CRI 90

9A000B067001 black 1.825,00

Optics 3000K

A00B117

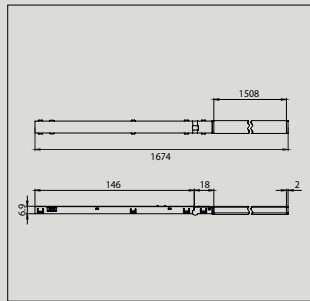
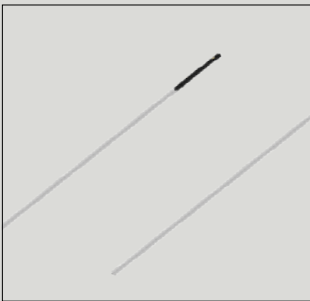


**opal optic only for A00BS11,
A00BS12, A00BS13**
dimnable push/DALI
48V dc, SELV
1,1 x H 0,7 cm
L 117,4 cm

14,5W, 3000K, CRI 90

9A000B117001 black 2.926,00

A00B167



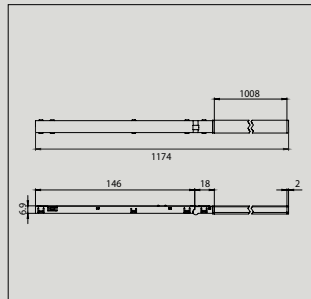
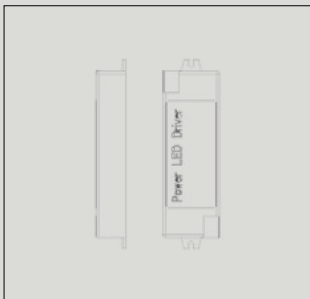
**opal optic only for A00BS11,
A00BS12, A00BS13**
dimnable push/DALI
48V dc, SELV
1,1 x H 0,7 cm
L 167,4 cm

21,6W, 3000K, CRI 90

9A000B167001 black 3.250,00

Remote LED driver

A00B10048



remote driver
on-off remote driver
48V dc, SELV 50/60HZ

Compatible for all tracks 501,00

